

HelixNet™ User Stations Installation

Quick Start Guide

Important! Before use please verify:

- System firmware is up to date



HelixNet User Stations

connect to

HelixNet Host Systems

- Beltpacks (**HXII-BP**)
- Remote stations (**HXII-RM** or HRM-4X*)
- Speaker stations (**HXII-KB** or HKB-2X**)

- Arcadia Central Station
- HelixNet Main Station (HMS-4X)

Connection

HelixNet user stations connect to the host system via either of the following options:

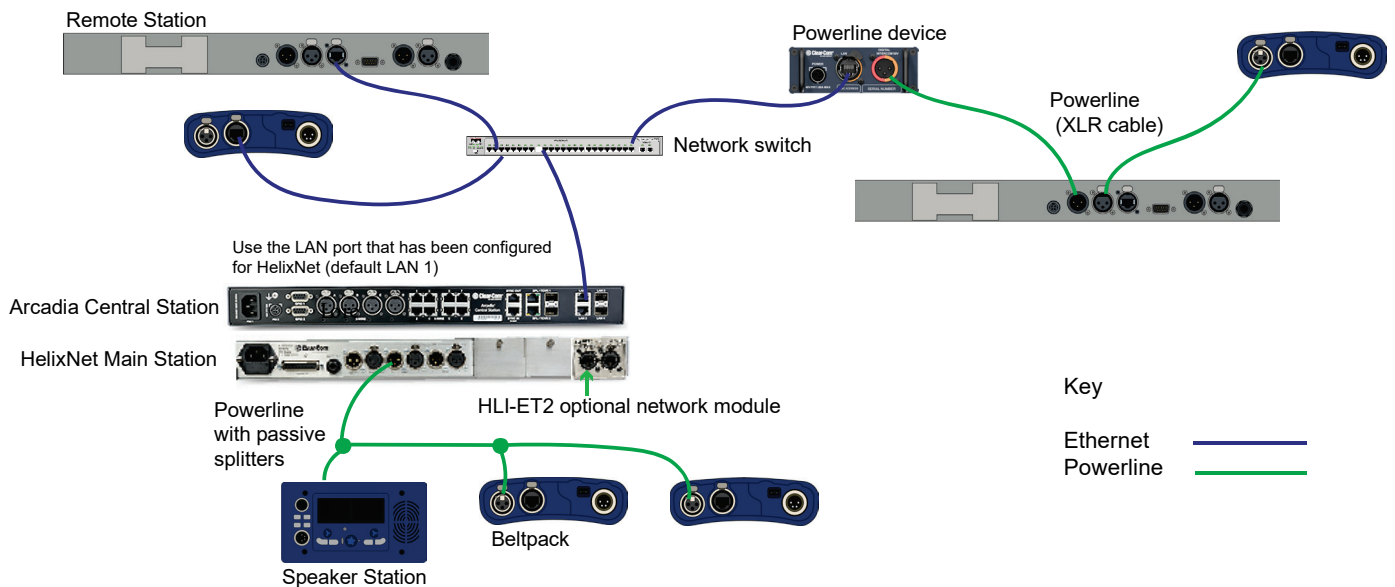
- Ethernet - network cable Cat5/6e cable via 3rd party Ethernet switches
- Powerline – XLR-3 mic cable via HXII-DPL Powerline device or HMS-4X Main Station Powerline ports

Power

HelixNet user stations are powered via one of the following options:

- Ethernet PoE
- Powerline
- Local power – remote and speaker stations only

Example:



Note: Do not connect analog partyline or interface devices to the Powerline (+/- 28.5V DC). Connecting Powerlines to devices it is not intended for may cause damage.

Note: When using a PoE switch, consider the power budget of the switch. Each beltpack requires 4 Watts. The remote station and the speaker station each require 13 Watts. Do not exceed the power budget of the switch.

*HXII-RM and HRM-4X Remote stations are form fit and functional equivalents and only differ in material construction and minor cosmetic details.

**HXII-KB and HKB-2X Speaker stations are form fit and functional equivalents and only differ in material construction and minor cosmetic differences.

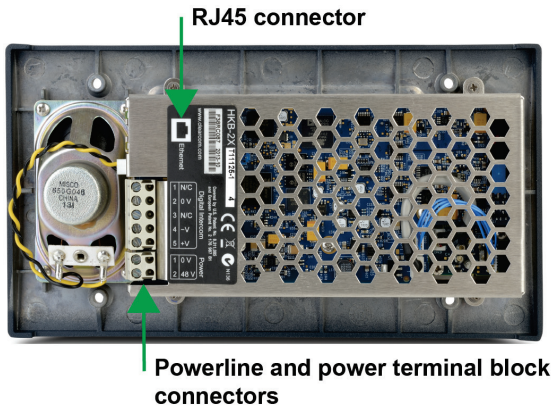


Note: Clear-Com offers the SP-3 splitter cable that allows a Powerline output to be split three ways and the SP-2 which is intended to provide pass-through along a line. Daisy chain or star as appropriate.

Note: Use the *HelixNet Powerline Calculator* from the [HelixNet Knowledge Center](#) to validate cable length and power limits.

Speaker Station Pinouts

The speaker station can be used with an optional desktop mount (HXII-Mount/S-Mount) or inside a customer-supplied MEMA standard 4 gang back box. When using the back box, the Powerline or local power cable can be wired to the terminal block connectors supplied with the speaker station as appropriate for the installation.



Powerline XLR	Terminal
1*	5*
2	4
3	2
* Use cable shield	

PSU	Terminal
0V	1
48V	2

Pair HelixNet user stations to Arcadia or HMS-4X

Once physically connected and powered, the HelixNet user stations must be on the same network subnet and paired to the Arcadia or HMX-4X system host.

Note: When connecting HelixNet user stations directly to the HMS-4X Main Station Powerline ports, no pairing or network settings are required.

Note: HelixNet user stations must run HelixNet firmware v. 4.5 (included with Arcadia 2.11+) before use with the HXII-DPL Powerline device.

Pairing can be done in two ways:

- Centrally: device discovery and pairing in the CCM (Arcadia only)
 - From the CCM, navigate to **Hardware>Resources** and select **Add Resource**
 - Select **Wired** tab
 - Select the HelixNet user stations found on the network and **Add** those to your system
- Locally: connect using the HelixNet beltpack, speaker, or remote stations' front panel menu
 - From the HelixNet user station front panel **Networking** menu:
 - Select **Preferences**, set IP address (or use DHCP) in the same range as the Arcadia or HMS-4X
 - Select **Pair to Station > By Name** or **By IP Address**

Note: An upgrade will be initiated automatically on connection to the Arcadia or HMS-4X system host if required.

The HelixNet user station will connect to the first **HelixNet Enabled** channels in the system. Please consult the system user manual for further configuration.

Information and Links

General

[Arcadia Knowledge Center](#)

[HelixNet Knowledge Center](#)

[HelixNet Powerline Calculator](#)

Support

[Solution Finder](#)

[Email Preferences](#)

[Support Requests](#)