

FreeSpeak Cell Beltpack

Wireless Solutions



FreeSpeak Cell Beltpack

Key Features and Benefits

Beltpack

- Functions with Eclipse HX via E-IPA cards
- Supports hundreds of beltpacks on a single system
- TFT color display (120x480)
- 9 buttons (8 programmable and 1 reply)
- Rotary controls on both sides and up/down level controls
- Main volume control on bottom
- BLE (Bluetooth Low Energy) Radio
- Supports Bluetooth 5.3
- Built-in mic and speaker
- Built-in flashlight
- Drop-in and USB-C charging
- eSIM & SIM card slot
- Dual SIM operation (switch between Private and Public cellular)

Connectivity

- Designed for operation on 4G LTE and 5G Cellular networks (regional availability varies)
- USB-C port for beltpack pairing and firmware updates and charging

Mechanical

- Curved shape fits to body
- IP54 rating for wet and dusty conditions

FreeSpeak Cell™ is a multi-channel, duplex digital wireless intercom beltpack operating on 4G LTE and 5G Cellular systems.

Description

The FreeSpeak Cellular Beltpack is a rugged, water-resistant multi-channel device designed for wide-area, interference-resilient communication over 4G LTE and 5G cellular networks. Powered by a global 4G LTE/5G radio, the beltpack delivers low-latency, full-duplex audio and reliable roaming across private on-site networks or public cellular infrastructure. Its ergonomic design features a large color display, nine assignable keys for flexible talk/listen workflows, dedicated level controls, and an integrated mic and speaker for quick station-style operation. FreeSpeak Cell beltpacks scale to 400+ active users (network-dependent) and integrate directly with Eclipse HX (through EHX v15), providing a powerful new option alongside FreeSpeak II.

Technical Specifications

Audio

Audio Bandwidth: 100Hz-7.5KHz
No. of Full-Duplex Audio Paths: Up to 9 keys
Mode of Operation: Full duplex on all routes
Level/Talk Controls: 9 buttons - A/B/C/D (top buttons) and 1/2/3/4 (front buttons), 1 reply button, 2 rotary encoders, 2 level up/down controls, and 1 (reprogrammable) main level control
Reply Button: 1
Bluetooth 5.3 Headset Profile
Bluetooth Codec: MSBC using HFP (Hands Free Profile)

Radio: Red Cap 4G LTE/5G SA

Channel Bandwidth:
 5G FR1: 5, 10, 15, 20 MHz
 4G LTE: 1.4, 3, 5, 10, 15, 20 MHz

Supported Bands*:
 5G SA: n1/2/3/5/7/25/28/48/66/71/77/78
 4G LTE: B1/2/3/4/5/7/12/13/20/28/48/66

Connectors

Headset Connector: 4-pin male, Clear-Com standard, options for 5-pin female and 7-pin male with PTT
Headset Voltage: Maximum of ~+8dBu as set by firmware
Microphone Type: Electret and Dynamic, selectable in beltpack menu
Microphone Voltage:
Electret Mic: -40dBu
 Mic bias for Electret mode is 4.4V
Dynamic Mic: -55dBu
 Mic bias for Dynamic mode is 1.8V
Headset Limiter: Selectable from beltpack menu

Power

Battery: Li-Ion
Battery Charging: Drop-in charger (AC80) or local USB
Battery Life: 8+ hours

Environmental

IP54 water and dust resistance
Operating: 14°-125°F (-10°-50°C)
Storage: -22°-150°F (-30°-70°C)
Humidity: Between 20% and 90%, Non-Condensing

Dimensions

Tapered design at largest points
 5.31 x 4.27 x 1.92in (WxHxD)
 (134.87 x 108.46 x 48.77mm)

Weight

Without Battery: 12.31oz (349g)
With Battery: 16.23oz (460g)

Regulatory

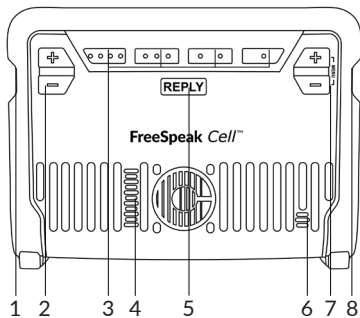
Regulatory Model: BP5GC1

***Note:** Hardware is designed for global band support. Additional bands are frequently added via regulatory updates. Contact sales for the latest roadmap.

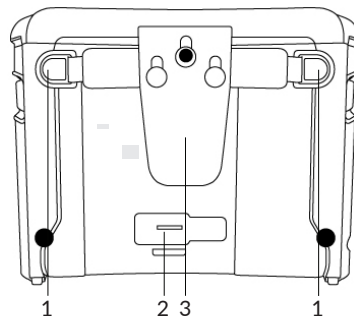
FreeSpeak Cell Beltpack

Wireless Solutions

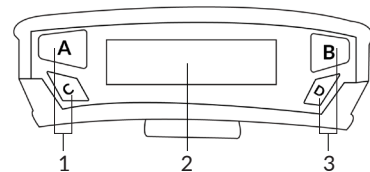
Front



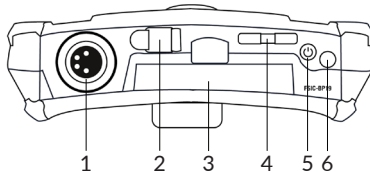
Back



Top



Bottom



Legend

Front

1. Rotary volume for Channel B
2. Channel D volume
3. 1-4 assignable keys
4. Speaker
5. Reply Key (assignable)
6. Mic
7. Channel C volume
8. Rotary volume for Channel A

Back

1. D ring loop
2. SIM card slot
3. Beltclip

Top

1. Buttons for A/C Channels
2. Display screen
3. Buttons for B/D Channels

Bottom

1. Headset connector
2. Door for USB-C port
3. Battery
4. Main volume
5. Power button
6. Flashlight

Order Codes

- FSC-BP-C-X4
- FSC-BP-C-X5

