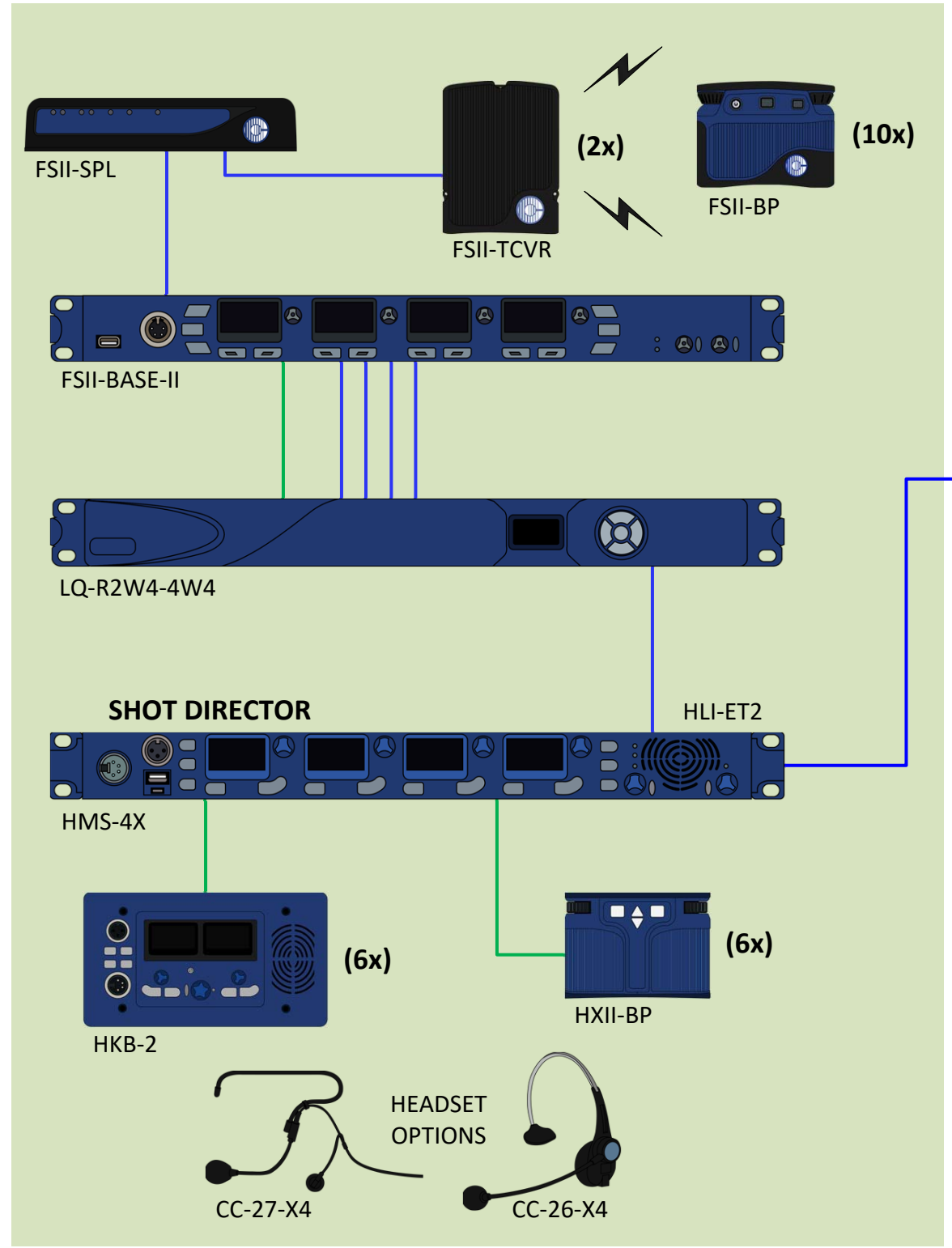
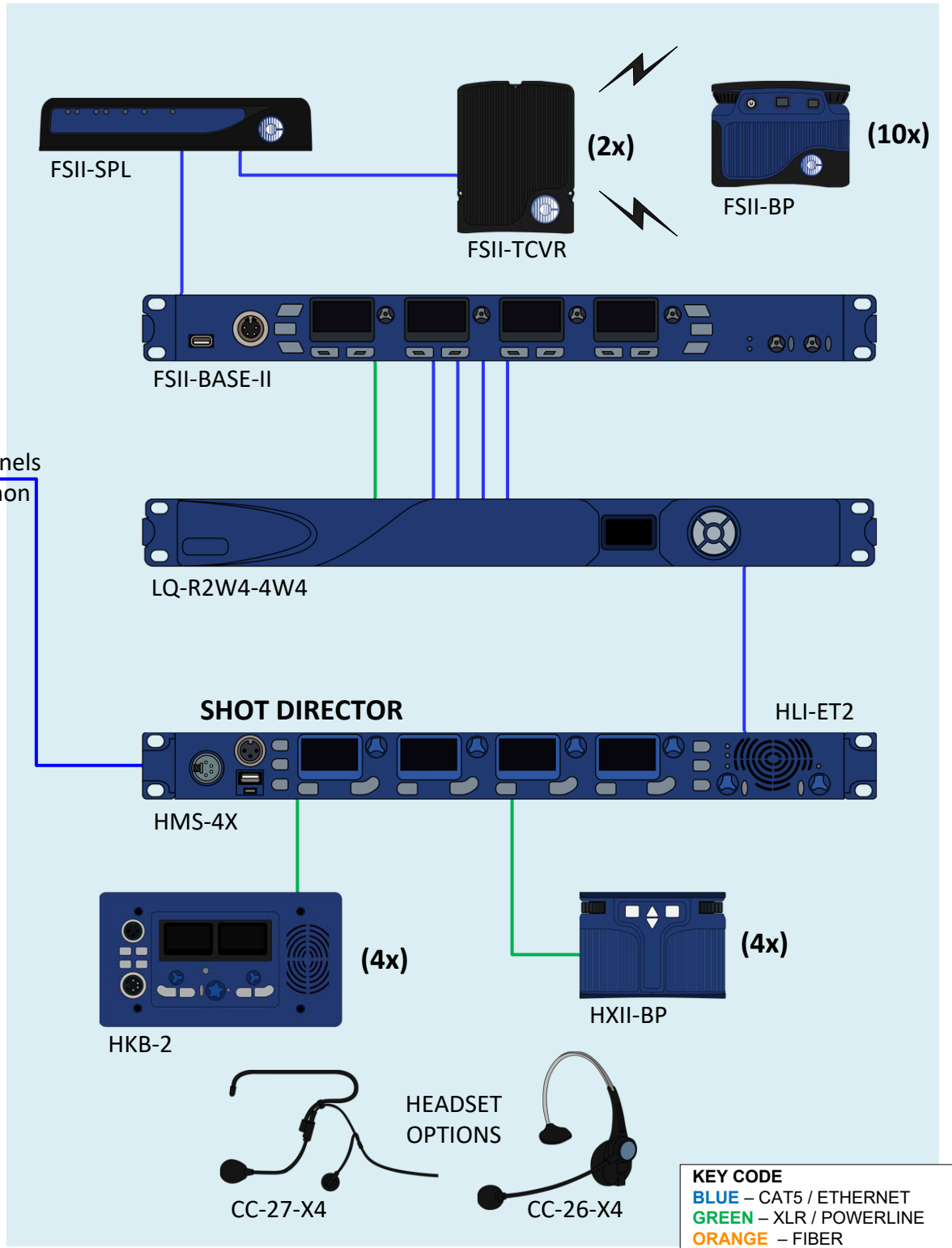


A
B
C
D
E
F

LAB - ALPHA



LAB - BETA



KEY CODE
BLUE – CAT5 / ETHERNET
GREEN – XLR / POWERLINE
ORANGE – FIBER
BLACK – 4-WIRE

A3 NOT TO SCALE

3rd ANGLE

Drawn BY: Steve Watanabe

This drawing/specification is the property of Clear-Com LLC and may not be reproduced or disclosed to a third party in any form without the written permission of the company

Clear-Com, LLC
 1301 Marina Village Parkway, Suite 105
 Alameda, California 94501
 United States
 Tel: +1.510.337.6600 or 1.800.462.HELP (4357)
 Fax: +1.510.337.6699
 Email: SalesSupportUS@clearcom.com

FILE LOCATION: Not specified

TITLE: **UNIVERSITY LASER LAB**

DATE: 08/28/2018

ISSUE: v01