

TR-50 OPERATING INSTRUCTIONS

7/25/88

=====

The TR-50 Talent Receiver is a mini belt pack with a volume control, earphone, earphone jack and a clip for attaching it to a belt or under a desk. Talent receivers let the talent hear program and cues coming from the IFB Electronics. The TR-50 contains an earphone amplifier to increase the signal from the IFB System to the earphone.

=====

1.1 INSTALLATION:

The TR-50 connects to a Clear-Com IFB System via up to 2000 feet of standard mic cable. The extension cable should have a female 3-pin XLR connector at the IFB controller and a male 3-pin XLR connector at the TR-50 end. The connector pin-out is: 1: common, 2: power (v+), and 3: audio. Adjust the sound level using cue audio from and IFB access station such as a DLC or MA/AX-4 station. do not use program audio for this adjustment. Mount the TR-50 if it is to be used in a fixed location.

1.2 EARPHONE JACK:

the earphone jack is a standard, stereo mini jack with no connection to the ring contact. this provides for use with monaural earphones. (If stereo earphones are plugged in, only one earphone will operate.)

1.2 VOLUME CONTROL:

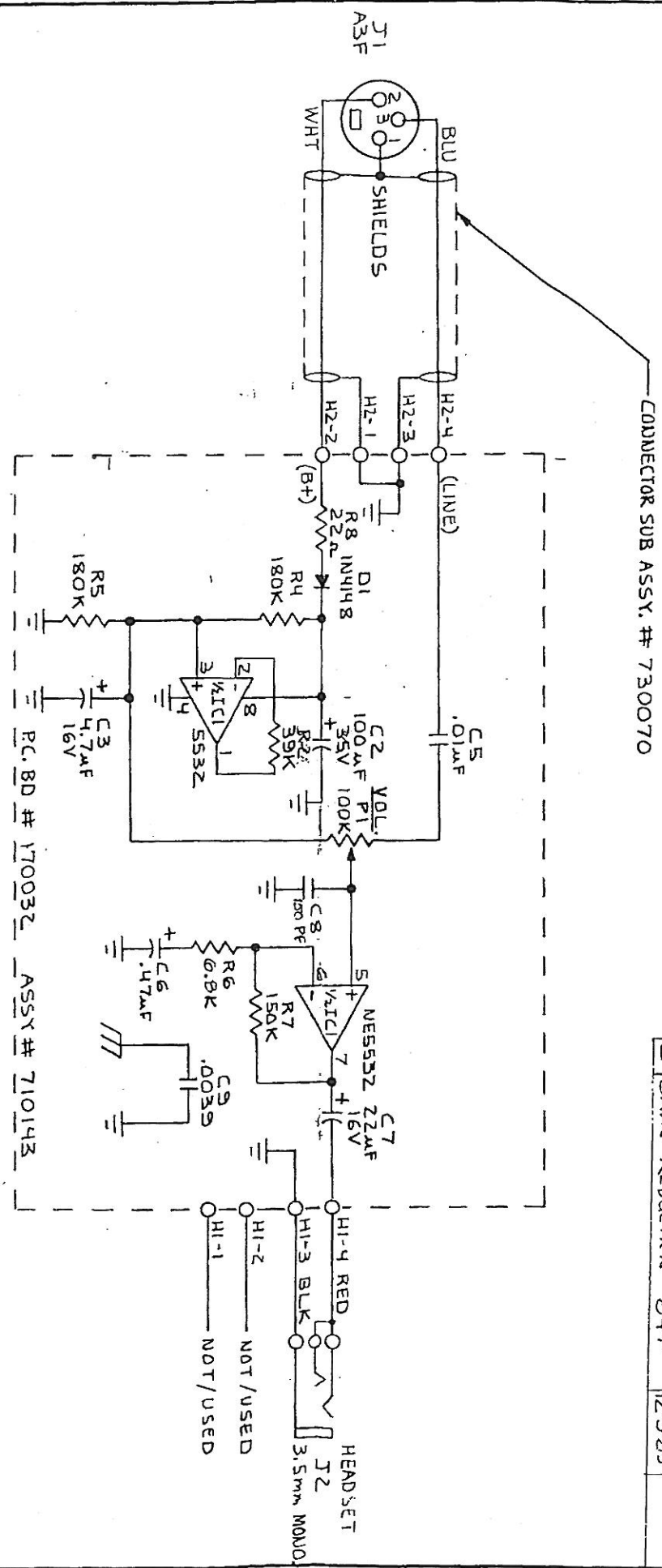
The VOLUME control adjusts the listen level of the incoming audio signal. the range is from full off (counter-clockwise) to full on (clockwise).

TR-50 SPECIFICATIONS

Earphone Type: dynamic
Earphone Impedance: 30 or greater
Max. Output Level: +20dbm
Power Required: 10ma
quiescent @ 28vdc
Earpiece Connector: 1/8"
mini-jack
IFB Connector: 3-pin XLR
female (at end of 6' cord)
Dimensions: 1.5" x 1.5" x
3.6" (38 mm x 38mm x 91 mm)
Weight: 4.5 oz. (127.5 g)

NOTE: While the TR-50 is designed specifically for the IFB System, this unit may be used as a "listen only" belt pack with any standard Clear-Com network.

REVISIONS			
LTR	DESCRIPTION	DATE	APPROVED
A	RELEASED	6-21-83	
B	PHONE JACK ECCD 624	4-3-84	
C	GAIN REDUCTION # 847	12-3-85	



TOLERANCES UNLESS OTHERWISE SPECIFIED
 FRACTIONS DEC ANGLES
 APPROVALS DATE
 DRAWN M. SHULTS 6-21-83
 CHECKED
 SCALE
 SIZE B DRAWING NO. TR-50-550-B-C
 DO NOT SCALE DRAWING SHEET 1 OF 1

Cleor-Com.
 Intercom Systems

SCHEMATIC, DIAGRAM
 TR-50 TALENT RECEIVER