

HelixNet 2-Wire Interface Module

Digital Partyline Solutions

Linking
People
Together



HLI-2W2

Key Features and Benefits

Interface

- 2-wire interface for HMS-4X
- Auto nulling
- Level and VOX control
- Clear-Com / RTS-TW Compatible
- Call and RMK signaling

The HelixNet System

- Wired Partyline - Networked
- Flexible cabling
- Up to 24 Channels – Licensed
- Program Audio user level control

Effortless Management

- Fast front panel control & configuration
- Easy to use CCM browser configuration
- Plug-and-go with auto discovery
- Central upgrades from main station

HelixNet® is a networked partyline intercom with up to 24 channels and Program Audio over XLR, LAN or WAN.

Description

The HelixNet HLI-2W2 is a dual 2-wire interface module for the HMS-4X² main station.

Interfacing

HelixNet 2-wire module analog partyline interface are assignable to any channel in the HelixNet system and provide connectivity to powered Clear-Com or RTS-TW analog partyline systems. Level control and VOX/Gate capability is provided for each interface to accommodate the connected system.

HelixNet 2-wire module include call signaling and remote mic kill circuits when used with compatible Clear-Com and RTS-TW partyline devices.

Local and Central Management Options

HelixNet 2-wire module can be added to any HMS-4X main station with an available option slot. Once installed, any channel can be independently assigned to either 2-wire port locally on the HMS-4X front panel or centrally from the Core Configuration Manager™ (CCM¹).

Pin	Function
1	Ground
2	Power (RTS-TW mode: power and audio)
3	Audio

¹CCM requires HLI-ET2

²HMS-4X is a legacy product

Note: HMS-4X and HLI modules are not used in Arcadia® hosted HelixNet systems. HMS-4X and HLI Modules are legacy products and not recommended for new system designs and specifications, existing HMS-4X units and HLI modules are supported under Clear-Com's Warranty Terms.

HelixNet 2-Wire Interface Module

Digital Partyline Solutions

Technical Specifications

Connectors

2-wire Partyline: (2) 3-pin XLR-F

Partyline

Compatibility: Clear-Com, RTS-TW configurable with Call and Remote Mic Kill

Termination: External system

Nulling: R-L-C hybrid; user initiated Auto-Calibration with Echo Cancellation

Power: 25mA from external system

Voltage: 20-30V DC (max)

Maximum Level Before Clipping: 6dBu

Nominal Input Level: -18dBu (CC), -12dBu (RTS-TW)

Input Impedance: >= 10KΩ bridging

Route to 4-wire input at 0dBu in:

Frequency Response: 100Hz - 10kHz ±3dB

Distortion: <0.2% THD @ 1kHz

Noise: <-55dBu

Route from a 4-wire output at 0dBu out:

Frequency Response: 40Hz - 10kHz ±3dB

Distortion: <0.2% THD @ 1kHz

Noise: <-75dBu

Dimensions

2.2 x 7.4 x 1.5in (HxWxD)

(57 x 187 x 39mm)

Weight

13oz (0.38kg)

Network Specifications

(Firmware Version 4.5+)

Network Protocols

Ethernet IPv4-Unicast Audio and Control

mDNS-Multicast Device Discovery

Layer 3-Routable with mDNS function

limitations

HTTP-Management

RTP-Audio Transport

WavPack-Audio Codec

Network Ports

Unicast:

Port 80 TCP-System Management

Port 6001 TCP-System Management

Port 6001 UDP-Audio Streams

Multicast:

Port 5353 UDP-mDNS, Names, Discovery

Network Parameters

HMS-4X Endpoint Resource Use:

1 per active port

Bandwidth:

300 (max) kbps from each active port to HMS

1200 (max) kbps from HMS to each active port

Network Jitter Tolerance:

<= 128ms jitter buffer per audio stream receiver automatically adjusted to network performance

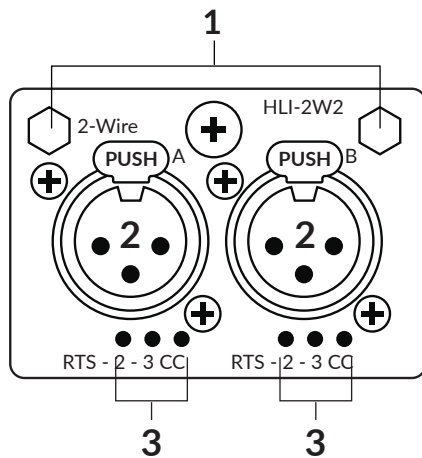
QoS Tags:

DSCP=34, Assured Forwarding (AF=41)

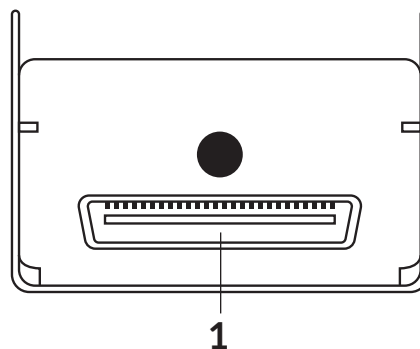
System reserved IP range:

10.0.0.0/8 for endpoints

Front



Back



Legend

Front

1. Handle mounting point
2. 3-pin XLR-F connectors
3. Configuration indicators

Back

1. Blade connector to HelixNet Main Station option slot

Order Code

HLI-2W2

