


HLI-FBS Interface Module

Digital Partyline Solutions



Linking
People
Together



HLI-FBS

Key Features and Benefits

- Fiber linking interface module
- Can link up to 3 HelixNet Main Stations together
- All labels will transfer across the linked systems
- One or two SFP LC duplex single-mode transceivers per module

HelixNet is a digital partyline system with up to 24 channels of full-duplex audio and program audio over any shielded twisted-pair cable.

Description

The HLI-FBS is a fiber linking interface module that enables a daisy-chain fiber interface to connect to other HMS-4X main stations. It fits within one of the three rear panel interface slots of an HMS-4X main station. One or two SFP (small form-factor pluggable) LC duplex single- or multi-mode transceivers on the module connect multiple HMS-4X main stations together to form one complete system. Once connected, the HelixNet stations share all digital partyline, Program Audio signals and any or all 2- or 4-wire interface audio. All channel labels will be transferred across the system automatically. Ethernet and Fiber modules can be mixed within the same network. Ships with one single-mode SFP fitted and the other position is left blank.

Technical Specifications

Transceiver Connectors

(2) SFP (small form-factor pluggable) Cage Connections

Each SFP is capable of supporting either HLI-SMFO Single-Mode transceiver or HLI-MMFO Multi-Mode transceiver. Ships with one HLI-SMFO Single-Mode transceiver and the other position is left blank.

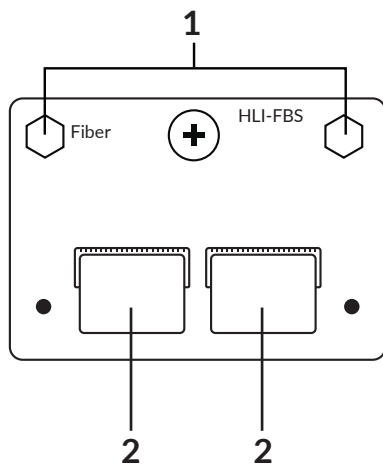
Dimensions

2.2 x 7.4 x 1.5 in (HxWxD)
(57 x 187 x 39 mm)

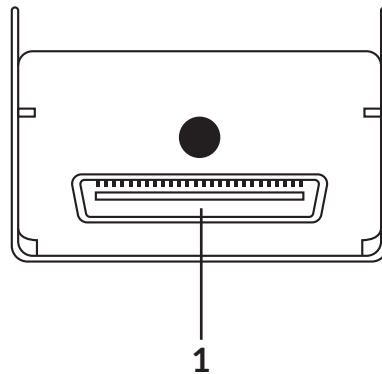
Weight

13 oz (0.35 kg)

HLI-FBS Front



HLI-FBS Back



Legend

Front

1. Handle Mounting Point
2. HLI-SMFO Single-mode Transceiver (ships with one, shown with two)

Back

3. Blade Connector to HelixNet Main Station option slot

Order Code

HLI-FBS

Optional SFP transceivers ordered separately:

HLI-SMFO
HLI-MMFO