

HLI-ET2 Interface Module

Digital Partyline Solutions

Linking
People
Together



HLI-ET2

Key Features and Benefits

- Ethernet LAN network interface module
- Can link up to 3 HelixNet Main Stations together
- Can be used to connect HelixNet remote stations, speaker stations and HXII-BP beltacks to HelixNet Main Stations
- All labels will transfer across the linked systems
- Two RJ-45 connectors per module

HelixNet is a digital partyline system with up to 24 channels of full-duplex audio and program audio over any shielded twisted-pair cable.

Description

The HLI-ET2 is an Ethernet LAN network interface module that enables a dual LAN interface to link to other HMS-4X main stations or to connect to HRM-4X remote stations or HKB-2X speaker stations. It fits within one of the three rear panel interface slots of an HMS-4X main station. Two RJ-45 connectors on the module can be used for linking up to 3 HMS-4X main stations together to form one complete system. In addition, the module allows connection of HRM-4X remote stations, HKB-2X speaker stations, and HXII-BP beltacks via Ethernet. Once connected, the HelixNet stations share all digital partyline, Program Audio signals and any or all 2- or 4-wire interface audio. All channel labels will be transferred across the system automatically. Ethernet and Fiber modules can be mixed

Pin	Name	Function
1	TX+	Transmit data (+)
2	TX-	Transmit data (-)
3	RX+	Receive data (+)
4	N/C	Not Connected
5	N/C	Not Connected
6	RX-	Receive data (-)
7	N/C	Not Connected
8	N/C	Not Connected

within the same network.

*NOTE: Both ports are configured to bridge traffic from one port to the other in order to

HLI-ET2 Interface Module

Digital Partyline Solutions

Technical Specifications

Connectors

LAN 1 and 2: (2) RJ-45 (Ethernet)

LAN Network Connection

10/100 BaseT, DHCP Capable

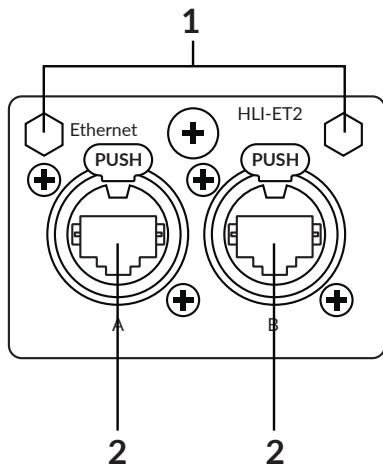
Dimensions

2.2 x 7.4 x 1.5 in (HxWxD)
(57 x 187 x 39 mm)

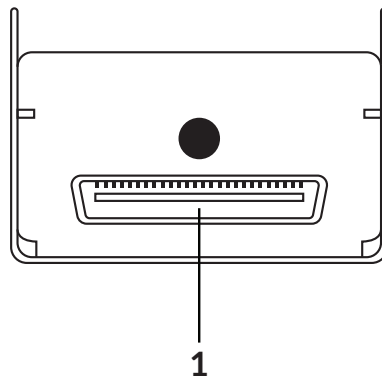
Weight

13 oz (0.35 kg)

HLI-ET2 Front



HLI-ET2 Back



Legend

Front

1. Handle Mounting Point
2. RJ-45 Connector

Back

1. Blade Connector to HelixNet Main Station option slot

Order Code

HLI-ET2