


FreeSpeak II 2.4 GHz Beltpack

FreeSpeak II Wireless Solutions



Linking
People
Together



FreeSpeak II 2.4 GHz Beltpack

Key Features and Benefits

- Typical indoor range 300 ft (90 m), outdoor range 800 ft (240 m)
- 1.9 and 2.4 GHz beltpacks operate on a single system
- Up to 65 – 90 beltpacks on a single system
- “Listen Again” message replay
- Simple 2-channel partyline operation to 5-channel intercom on the same beltpack
- Over-the-air beltpack registration
- 18+ hour battery life or USB port for continuous operation
- XLR-4M headset connector
- IP53 rating for wet and dusty conditions
- Built-in flashlight

FreeSpeak II is a high performance wireless solution operating in the 1.9 and 2.4 GHz frequency bands designed for extensive communication in large-scale operations.

Description

The FSII-BP24 is a rugged, water-resistant beltpack that operates in the ISM license-free 2.4 GHz frequency range. Featuring the “Clear-Com Sound”, the FSII-BP24 has high audio bandwidth for superior intelligibility and listening comfort.

Operation

The FSII-BP24 can connect to the FreeSpeak II base station or to Eclipse HX card frame matrices using the E-QUE-HX interface card. FSII-BP24 users can roam, seamlessly between FSII-TCVR-24 antennas over wide areas. The “Listen Again” feature allows users to replay earlier commands, eliminating the need to repeat communication or disturb productions.

Increase System Size

The FSII-BP24 can be mixed with FSII-BP19 beltpacks on the same system, increasing the quantity of beltpack users in a single radio space. In the US, up to 25 1.9 GHz and 40 2.4 GHz beltpack users can operate on a single system, while the rest of the world can have up to 50 1.9 GHz and 40 2.4 GHz beltpack users in the same radio space.

Durability

The FSII-BP24 is IP53 rated for wet weather or dusty conditions making them ideal for outdoor productions. For better grip and protection, the beltpack has a rubberized over-mold to protect from the most rugged environments.

Battery

Using the BAT60 Li-Ion battery, the FSII-BP19 has 18+ hours of battery life. Using an alternative set of 3 AA cells, the battery life is 6-9 hours. The beltpacks also include an USB charging port for recharging or for continuous powered transmissions.

FreeSpeak II 2.4 GHz Beltpack

FreeSpeak II Wireless Solutions

Technical Specifications

Audio

Audio Bandwidth: 200Hz-7.5KHz

No. of Full-Duplex Audio Paths: Up to 5 with individual level control

(2 dedicated rotaries, 3 with menu), 2 controls and a main volume

Mode of Operation: Full duplex on all routes

Level/Talk Controls: 4 pushbuttons, a reply button and 2 rotary controls

Enter/Answer-Back Button: 1

Radio

Frequency Spectrum: 2.400-2.483MHz for EU and US cellular auto roaming technology

Modulation: GFSK, TDMA frame 10ms full and long slot

Output power: (EU) 18-22dBm, (US) 18-20dBm

Range: Typical indoor range 300 ft (90 m), outdoor range 800 ft (240 m)

Battery: Li-Ion or 3 AA alkaline cells

Battery Charging: Drop-in charger (AC60) or local USB

Battery Life: 18+ hours with Li-Ion; 9 hours with 3 x Alkaline AA cells

Headset Connector: 4-pin male, Clear-Com standard, options for 5-pin female and 7-pin male with PTT

Microphone Type: Electret and Dynamic, selectable in beltpack menu

Headset Limiter: Selectable from beltpack menu

Environmental

IP53 water and dust resistance

Operating: 32°-125°F (0°-50°C)

Storage: 32°-150°F (0°-70°C)

Humidity: Between 20% and 90%, Non-Condensing

Dimensions

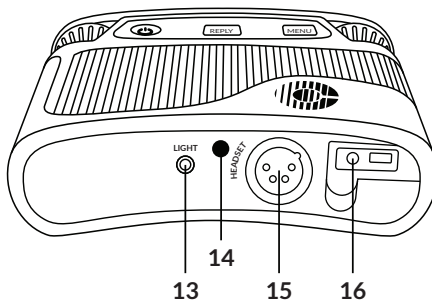
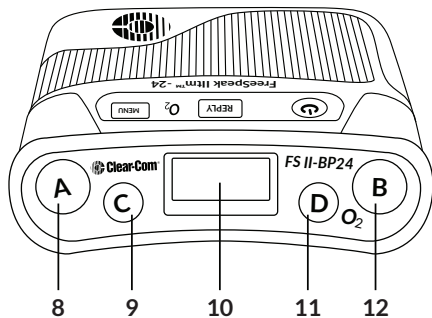
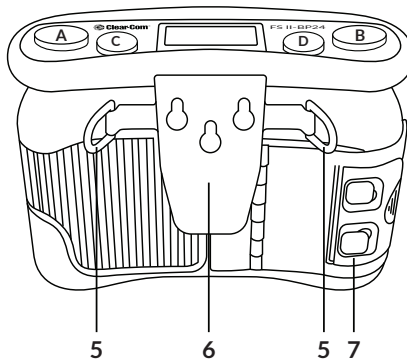
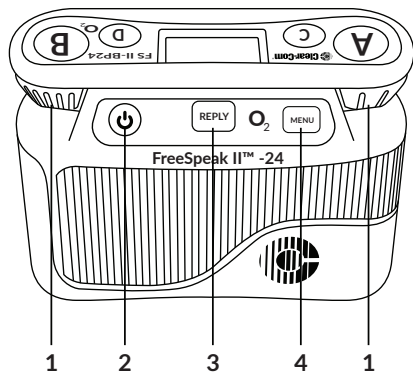
Tapered design at largest points

3.75 x 5 x 1.5in (HxWxD)

(97 x 130 x 45mm)

Weight

9.0oz (0.25kg) including batteries



Legend

1. Volume control
2. Power button
3. Reply button
4. Menu button
5. Shoulder strap hook
6. Belt clip
7. Battery door
8. Channel A
9. Channel C
10. LCD
11. Channel D
12. Channel B
13. Flashlight
14. Flashlight switch
15. Headset connector
16. USB and Audio Jack connectors

Order Codes

FSII-BP24-X4: Beltpack with XLR-4M headset connector, approved for use in USA, Canada and world wide sales except EU

FSII-BP24-X5: Beltpack with XLR-5F headset connector, approved for use in USA, Canada and world wide sales except EU

FSII-BP24-X7: Beltpack with XLR-7M headset connector, approved for use in USA, Canada and world wide sales except EU

FSII-BP24-X4-EU: Beltpack with XLR-4M headset connector, approved for use in the EU only

FSII-BP24-X5-EU: Beltpack with XLR-5F headset connector, approved for use in the EU only

FSII-BP24-X7-EU: Beltpack with XLR-7M headset connector, approved for use in the EU only