


V-Box, V-Box-RJ45 Speaker Station Enclosure

Analog Partyline Solutions



Linking
People
Together



V-Box

Key Features

- Enclosure for Encore KB speaker stations
- Available with XLR or RJ45 connectors
- Desktop, portable or wall mount configurations
- Rugged metal housing

Encore™ is a 2-wire analog partyline system with intuitive plug-and-play design and superior “Clear-Com Sound” audio clarity.

Description

The V-Box converts any of the KB speaker stations into a desktop, portable, or wallmount unit. The station panel may be secured with four screws in one of the two mounting spaces, for either an angled or a vertical panel orientation. A blank plate with mounting keyholes is provided to cover the second mounting space. The rugged metal enclosure is durable for long-term professional use.

V-Box with XLR Connectors

The V-Box includes 3-pin XLR male and female connectors that are mounted on the side panel. The connectors can be used for either a 2-wire partyline loop-through or 4-wire send and return. They are wired to a connector block for easy connection to the speaker station.

V-Box with RJ45 Connectors

The V-Box-RJ45 includes an EtherCON RJ45 connector and DC power jack connector mounted on the side panel. It is wired to a connector block for easy connection to the speaker station. A PSU adapter is required to power the V-Box-RJ45.

V-Box, V-Box-RJ45 Speaker Station Enclosure

Analog Partyline Solutions

Technical Specifications

Environmental

32 - 122°F (0 - 50°C)

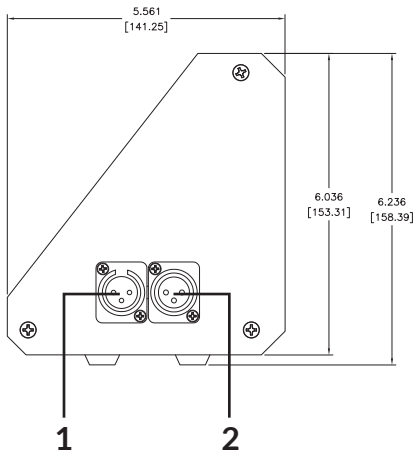
Dimensions

6.24 x 8.73 x 5.56 in (HxWxD)
(158 x 222 x 141 mm)

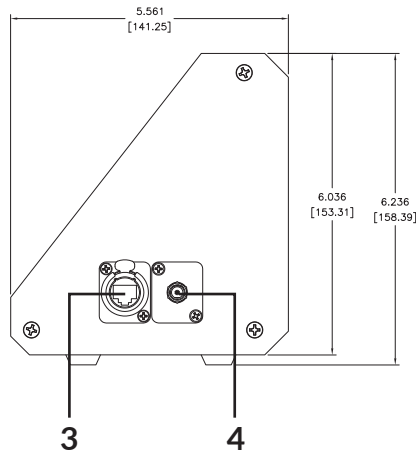
Weight

Empty: 3.4 lbs (1.5 kg)

V-Box



V-Box-RJ45



Legend

1. Male XLR connector
2. Female XLR connector
3. EtherCON RJ45 connector
4. DC power connector

Order Codes

V-Box

V-Box-RJ45

400071Z: power supply for V-Box-RJ45

V-Box Front

