

# MT-701 Isolation Box

Analog Partyline Solutions

Linking  
People  
Together



MT-701

## Key Features and Benefits

- One termination required between connected systems
- Status information LEDs
- Easy installation with standard XLR cables
- High-quality enclosure for professional use and appearance

## Legend

### MT-701 Left Side

1. Green LED = Pin 1 Reference  
Red LED = Pin 2 Reference
2. XLR-3F connector
3. Dim Light = Originating call  
Bright Light = Receiving call

### MT-701 Right Side

1. Dim Light = Originating call  
Bright Light = Receiving call
2. XLR-3M connector
3. Green LED = Pin 1 Reference  
Red LED = Pin 2 Reference

## Order Code

MT-701

Encore™ is a 2-wire analog partyline system with intuitive plug-and-play design and superior “Clear-Com Sound” audio clarity.

## Description

The MT-701 is an isolation box that is used to reduce hum in Clear-Com Encore Partyline products when multiple grounds are present. The MT-701 can also be used to bridge two partyline systems together.

## Technical Specifications

### Audio

Pin 2 Impedance: >5000 Ohms  
Max Level: +2 dBu  
Distortion: <0.2% THD (200Hz - 10 KHz, -10 dBu)  
Frequency Response: 100 KHz - 10 KHz, +2 dBu  
Nominal Input Level: -18 dBu (Clear-Com)

### Power

Power Consumption: <5 mA

### Environmental

32°F - +122°F (0°C - +50°C)

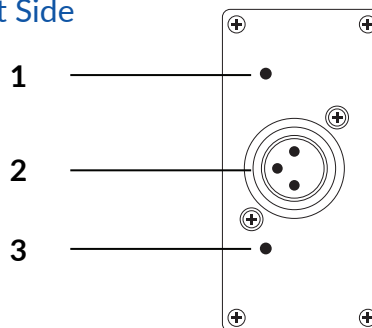
### Dimensions

1.8 x 3.2 x 5 in (HxWxD)  
(46 x 81 x 126 mm)

### Weight

9.6 oz (0.27 kg)

### MT-701 Left Side



### MT-701 Right Side

