

MS-802-IM Two-Channel Main Station

Industrial and Marine Analog Partyline Solutions

Linking
People
Together



MS-802-IM

Key Features

- Supports up to 55 beltpacks or 10 speaker stations on two channels
- IP-20 environmental rating
- Asbestos-free in accordance with SOLAS Regulation II-I/3-5.2
- Marine Certification compliant with DNVGL-CG-0339 (2016)
- Separate short-circuit protection for each channel
- Dual-action electronic momentary/latching Talk buttons
- Program feed to both channels, with selectable Program Interrupt (IFB)
- Call signal buttons for each channel
- Remote Mic Kill
- Announce output with relay
- Microphone limiting
- Volume controls for each channel
- Visual and audible Tone Alert signaling
- Channels A & B Link switch
- Built-in speaker
- External switchable line termination on each channel
- Universal voltage power supply

Industrial and Marine products for use in harsh environments, certified in accordance with DNVL-CG-0339, with Compass Safety Distance conformity, and asbestos-free.

Description

The MS-802-IM is a 1RU two-channel main station with programmable front panel buttons, individual channel short-circuit protection, individual channel volume control, and a regulated fail-safe power supply. The MS-802-IM supports up to 55 beltpacks or 10 speaker stations.

Monitoring System

The MS-802-IM can monitor intercom activity on one or both channels with individual listen-level controls. Monitoring intercom activity is possible through a headset or the internal loudspeaker.

Talk Selection

The MS-802-IM has mic pre-amps with limiters and speech-shaping circuits. An individual electronic momentary/latching Talk button is available for each channel. Illuminated dual-action Talk buttons light an LED dimly when latched: blue-color while in standby, amber-color when latched. The latching feature can be disabled. The channels can be accessed separately or simultaneously without tying them together. A selector switch toggles between the headset or microphone. The Talk buttons can also be controlled with a footswitch.

Announce Output

For paging, the MS-802-IM provides a balanced, line-level output signal to a ¼-inch TRS connector on the rear panel. The front panel Announce button activates the output and the Announce relay. The relay circuit, on a separate ¼-inch TRS connector, is typically used to mute monitors.

Call Signaling

The MS-802-IM has individual Call buttons with visual call signaling for each channel on the partyline. The visual signal will flash brightly and will emit an audible signal if the remote station operator holds the Call button for more than 2 seconds. The call signaling feature can be programmed to the Talk buttons.

Remote Mic Kill (RMK)

The MS-802-IM has a global Remote Mic Kill button. It will turn on the microphone talk circuits of all beltpacks on the system, eliminating extraneous noise from the open headset microphones.

MS-802-IM Two-Channel Main Station

Industrial and Marine Analog Partyline Solutions

Program Input and Interrupt (IFB)

The MS-802-IM accepts a line-level external program input for monitoring in the headset and speaker, and/or mixing with intercom audio on either or both channels. When Interrupt is selected, the program signal is interrupted when the Talk button is pressed.

Power

The MS-802-IM has a visual indication of power supply conditions. In the event of a short circuit or current overload on a channel, that channel will shut down while the other one continues to operate. As soon as the fault condition is removed, the auto-reset circuitry will restore power to that channel, even under full-load conditions.

Technical Specifications

dBu is an absolute measurement. 0 dBu is referenced to 0.775 volts RMS

Station Capacity

Up to 55 RS-801-IM beltpacks or 10 speaker stations or 12 headset stations distributed over both channels

Panel Microphone Input

Input Type: Electret
Input Impedance: $\geq 2K$
Mic Limiter Threshold: 0 dBu ± 3 dB
Mic Limiter Range: ≥ 20 dB

Headset Microphone Input

Input Type: Dynamic
Input Impedance: $\geq 1K$
Mic Limiter Threshold: 0 dBu ± 3 dB
Mic Limiter Range: ≥ 15 dB

Program Line Input

Maximum Level before Clipping: ≥ 20 dBu
Input Impedance: $\geq 5K$

Headset Output

Load Impedance: ≥ 8
Output Impedance: ≤ 25
Output Limiter Threshold: +5 dBu ± 3 dB
Maximum Output Level before Distortion: ≥ 17 dBu

Speaker Output

Load Impedance: ≥ 4
Max Output Level before 1% Distortion: 20 dBu ± 2 dBu

Partyline Output

O Noise: < -74 dBu
Output Impedance: $> 10 K$

Partyline Input

Crosstalk: < -60 dB
Max level before Clipping: ≥ 12 dBu
Sidetone Null Capability: > 25 dB

Stage Announce/Balanced Line Out

Type: Balanced
Output Impedance: ≥ 200
Load Impedance: ≥ 600

IFB/Hot Mic

Type: Unbalanced
Output Impedance: 180
Load Impedance: ≥ 600

Frequency Response

Panel Mic - Partyline: 600 - 10KHz ± 3 dB
Headset Mic - Partyline: 200 - 12KHz ± 3 dB
Headset Mic - Line Out: 200 - 12KHz ± 3 dB
Program Input - Partyline: 100 17KHz ± 3 dB
Program Input - Headset Out: 200 - 10KHz ± 3 dB
Program Input - Speaker Out: 300 - 10KHz ± 3 dB
Partyline - Headset Out: 200 - 10KHz ± 3 dB
Partyline - Speaker Out: 300 - 10KHz ± 3 dB

Max Distortion

Panel Mic - Partyline: $\leq 0.5\%$
Headset Mic - Partyline: $\leq 0.5\%$
Headset Mic - Line Out: $\leq 0.5\%$
Program Input - Partyline: $\leq 0.2\%$
Program Input - Headset Out: $\leq 0.2\%$
Program Input - Speaker Out: $\leq 0.5\%$
Partyline - Headset Out: $\leq 0.2\%$
Partyline - Speaker Out: $\leq 0.5\%$

Noise

Panel Mic - Partyline: < -65 dBu
Headset Mic - Partyline: < -70 dBu
Headset Mic - Line Out: < -55 dBu
Program Input - Partyline: < -85 dBu
Program Input - Headset Out: < -60 dBu
Program Input - Speaker Out: < -60 dBu
Partyline - Headset Out: < -50 dBu
Partyline - Speaker Out: < -50 dBu

Max Gain

Panel Mic - Partyline: ≥ 37 dB
Headset Mic - Partyline: 41 dB ± 2 dB
Headset Mic - Hot Mic Out: 55 dB ± 3 dB
Headset Mic - Announce Out: 55 dB ± 3 dB
Program Input - Partyline: ≥ -16 dB
Program Input - Headset Out: ≥ 18 dB
Program Input - Speaker Out: ≥ 24 dB
Partyline - Headset Out: ≥ 34 dB
Partyline - Speaker Out: ≥ 40 dB

Min Gain

Panel Mic - Partyline: ≤ 25 dB

Mains Power

Input Voltage Range: 100 - 240 VAC
Input Frequency Range: 50 - 60 Hz
Input Power: ≤ 60 VAC
Output Voltage: 30 VDC $\pm 0.5V$
Output Current per Channel (Continuous): 1.2 A
Output Current per Channel (Peak): 2 A (Do not exceed the 1.2A rating for more than 2 seconds per 1 minute period)
Short Circuit Recovery Time (1st short): ≤ 0.5 sec
Short Circuit Recovery Time ≥ 20 shorts in 20sec: ≤ 20 sec

Environmental

32 - 122°F (0 - 50°C)
Relative Humidity: 0 - 96%, non-condensing
Vibration Frequency Range: 2 - 13.2 Hz,
Amplitude: 1.0 mm
Peak Value Frequency Range: 13.2 - 100 Hz,
Acceleration Amplitude: 0.7 g
EMC: DNVGL-CG-0339 - Class A

Enclosure: IP-20

Dimensions

1.75 x 19 x 6.5 in (HxWxD)
(44 x 483 x 165 mm)

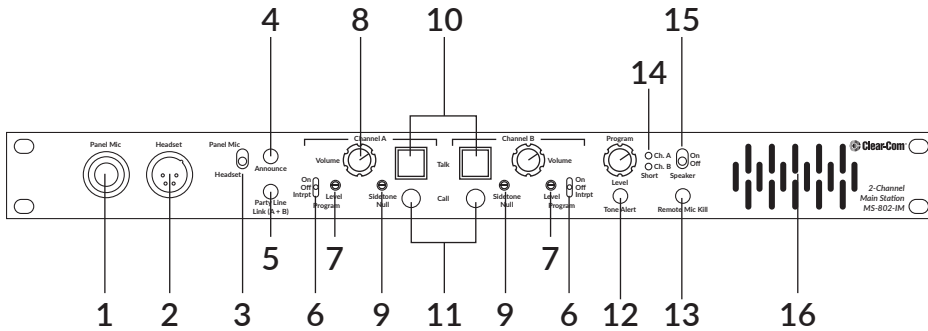
Weight

6.1 lbs (2.8 kg)

MS-802-IM Two-Channel Main Station

Industrial and Marine Analog Partyline Solutions

MS-802-IM Front Panel

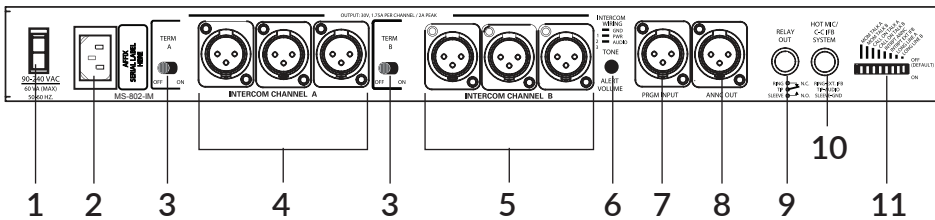


Legend

Front Panel

1. Microphone connector
2. XLR-4M Headset connector
3. Mic Select Switch
4. Announce button
5. Partyline Link button
6. Program ON/OFF/INTERRUPT switch
7. Program Level control
8. Volume control
9. Sidetone Null control
10. Talk button
11. Call button
12. Tone Alert button
13. Remote Mic Kill button
14. Short LED
15. Speaker ON/OFF switch
16. Speaker

MS-802-IM Back Panel



Back Panel

1. Power ON/OFF switch
2. Power connector
3. Termination ON/OFF switch
4. Channel A XLR-3M intercom connectors
5. Channel B XLR-3M intercom connectors
6. Tone Alert Volume control
7. Program Input
8. Announce Out
9. Relay Out
10. Hot Mic / IFB Interface
11. Dip switch options

Certifications and Compliance

This device complies with part 15 of the FCC Rules.

This device complies with European Union CE Mark:

- Electromagnetic Compatibility Directive 2014/30/EU
- Low Voltage Directive 2014/35/EU
- RoHS Directive 2011/65/EU
- Standards: EN 55032, EN 55024, EN 60950-1, EN 50581

This device complies with Maritime Certification:

- Conformity with DNVGL-CG-0339 Edition November 2016
- Asbestos-free in accordance with SOLAS Regulation II-1/3-5.2
- Compass Safety Distance conformity per DNVGL-CG-0339 and IEC 60945



Order Code

MS-802-IM